



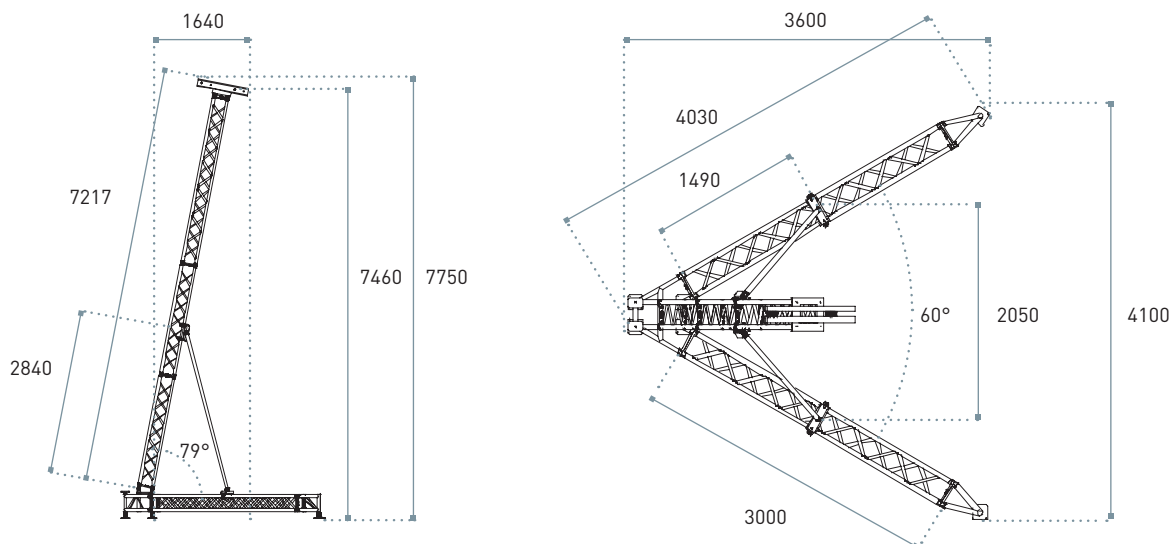
FLYINTOWER

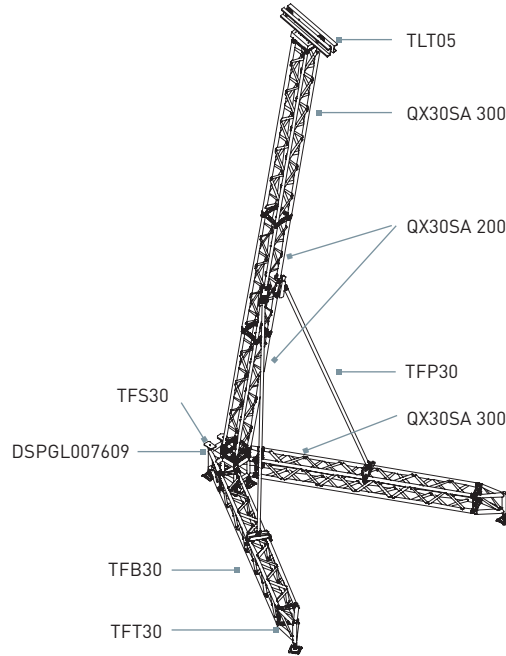
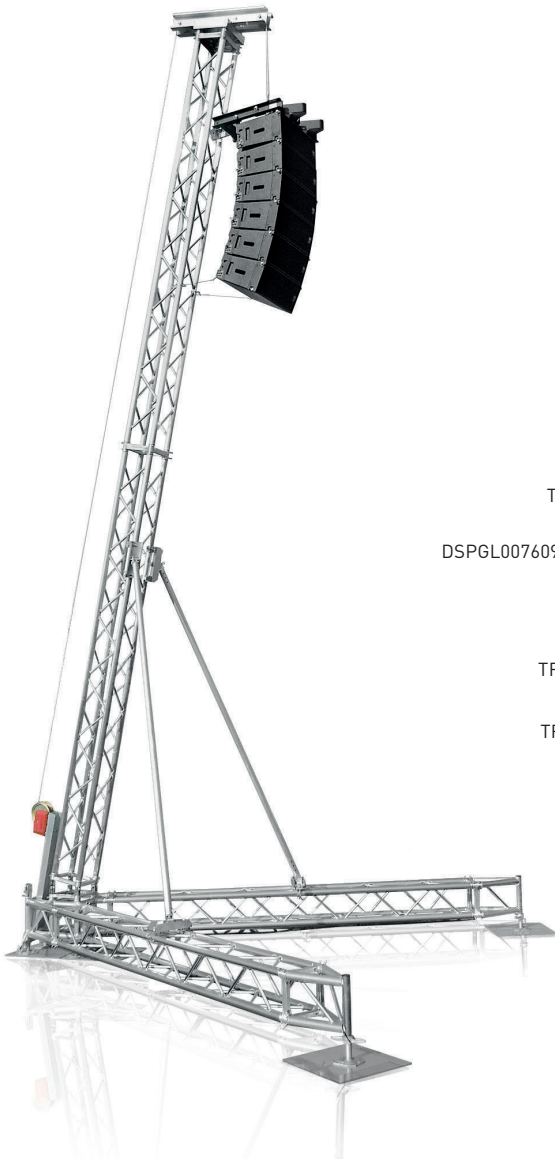
7.5-500 & 9.5-600

Support Tower for audio systems consisting of a QX30SA structure, suitable for lifting loads of up to 600 kg to a height of 9.5 metres. To lift the loads, anchoring is provided for an electric chain hoist. Alternatively they may be lifted manually by adding a cable winch device.

| Flyintower | 7.5-500 | 9.5-600 |
|--------------------------------------|---|---|
| Maximum tower height | 7.5 m | 9.5 m |
| Weight | 160 kg | 225 kg |
| Maximum surface area of loudspeakers | 2.5 m ² front 2.0 m ² back | 2.5 m ² front 2.0 m ² back |
| Maximum wind speed | 70 km/h | 70 km/h |
| Required ballast weight | 170 kg | 130 kg |
| Maximum lifting load capacity | 500 kg | 600 kg |

FLYINTOWER 7.5-500





| | 7.5-500 | 9.5-600 |
|-----------------------|-------------------------------|----------------|
| Base | TFB / 1 | TFB / 1 |
| Tower truss | QX30SA 300 / 1 QX30SA 200 / 2 | QH30SA 300 / 3 |
| Base truss | QX30SA 300 / 2 | QH30SA 300 / 2 |
| Diagonals | TFP30 / 2 | TFP40 / 2 |
| Base ends / terminals | TFT30 / 2 | TFT30 / 2 |
| Top | TLT05 / 1 | TLT05 / 1 |
| Connection system | QXFC | QXFC |

FLYINTOWER 9.5-600

